

Omnexo switch actuator 2/4/6M230 AP

Installation instructions



Der SonnenLightManager

Valid from
1 April 2023
Keep for future use.


General information



Fig. 1 Omnexo switch actuator 2/4/6M230 AP

The Omnexo switch actuator 2/4/6 M230 AP is a device for the central operation of up to six 230 V AC sun shading drives (the following uses the sun shading actuator for six motors as an example).

It is operated via the Omnexo control system. The drives and switch actuator are supplied with 230 V AC. The Omnexo switch actuator 2/4/6M230 AP functionality can be set. The control behaviour can be adjusted to the different requirements of the various products.

 Controlling the light and load is not permitted and will result in a device fault.

Intended use

The Omnexo switch actuator 2/4/6M230 AP is an electronic device for controlling sun shading devices. The approval of the manufacturer must be obtained for any use of the device other than its intended purpose specified in these instructions.

Safety instructions



WARNING
The electrical installation (assembly)/dismantling must be performed by a certified electrician in accordance with VDE 0100 and/or with the standards and legal requirements pertaining to the respective country. The electrician must observe the installation notes and instructions included with the electrical devices supplied.



WARNING

If hazard-free operation cannot be assumed, the device must not be started or must be deactivated. This assumption is justified if:

- ▶ the housing or the connecting lines show signs of damage
- ▶ the device is no longer working.



WARNING

It is important to comply with the following points in the interest of personal safety.

- Children must not play with the operating elements of the control unit or the remote control. Store remote controls out of reach of children.
- Make sure that no persons or objects are in the path of the driven parts (internal and external venetian blinds, etc.).
- Disconnect the device from the operating voltage if cleaning or other maintenance work must be performed!



CAUTION

When using window drives, the installer of the system must ensure that the safety regulations and precautions of DIN EN 60335-2-103 "Particular requirements for drives for gates, doors and windows" as well as ASR 1.6 "Windows, roof lights, transparent walls" are observed.



WARNING

The switch actuators may only be used to control such window drives where the movement of the window cannot cause any injuries.

Function of the sun shading actuator

You will find a detailed description of the functions for Omnexo sun shading actuators in the Omnexo software. The software is available to download at www.warema.com/en/omnexo/.

Installation

The unit is surface mounted indoors on a suitable substructure. For wall or ceiling installation, the fixing materials must have sufficient dimensions. Insert a slotted screwdriver into the appropriate cover opening (see fig. 2) and carefully pry the hinged cover open. After both latches have been unlatched, the cover can be flipped open. Open the second cover in the same way. Alternatively, the AP variant may also be mounted on a DIN rail (TH 35-15).

Electrical connection

An on-site overload current protection device (fuse) and a disconnecting and isolating switch to switch off the entire unit must be provided.

The unit is electrically connected according to the wiring diagram on the other side of the page (Fig. 3).



The bus lines must be provided with 120 Ω terminating resistors at the beginning and end of the line.



WARNING

After installation, all terminals and connections under current must be completely closed by the latched cover to prevent accidental contact. It should not be possible to open the latched cover without using tools.

Commissioning

After the installation has been completed and the supply voltage is applied, the device needs to be taken into service using the Omnexo software. The actuator will only work in dead man's mode until it has been successfully commissioned.

You will find a detailed description on commissioning in the Omnexo software under "Help".

Information on commissioning and the Omnexo app is available at:
www.warema.com/en/omnexo/



Maintenance

There are no parts inside the device that require maintenance. In the event of a malfunction, the built-in miniature fuses should only be replaced by a certified electrician.

Cleaning

Clean the housing with a soft, dry cloth. Do not use detergents, cleaning agents, solvents, abrasive substances or steam cleaners!

Liability

Failure to comply with the product information in these instructions and any use of the device other than its intended use may result in the manufacturer refusing to honour warranty claims for product damage. In this case, liability for secondary harm to persons or damage to property will also be excluded. Observe the information in the operating instructions for your sun shading system.

The automatic or manual operation of the sun shading system while iced over and the use of the sun shading system during severe weather may cause damage and must be prevented by the operator through suitable precautions.


Obligations for the disposal of electrical devices



A marking with this symbol indicates the following obligations under the scope of legal regulations:

- The owner of this electrical device must dispose of it separately from unsorted municipal waste for further recycling.
- Used batteries and accumulators that are not enclosed in the old device, as well as lamps/bulbs that can be removed from the old device without breaking, must be disposed of separately.
- Distributors of electrical devices and disposal companies are obliged to take back the equipment free of charge.
- The owner must take it upon themselves to delete any personal data contained in the electrical device prior to disposal.

Technical data

Omnexo switch actuator 2/4/6M230 AP	min.	type	max.	Unit
Supply				
Operating voltage	198	230	253	V AC
Power consumption		1.3	4.0	W
Mains frequency	50	50	60	Hz
Outputs				
Switching capacity 230 V AC/cos φ = 0.6			500	VA
*The total power per fuse must not exceed 1000 VA.				
Inputs				
Local operator inputs "Input active"	8	24	36	V DC
Omnexo interface				
Bus interface (X50)	RS485 (two-wire bus)			
Radio extension interface (suitable for retrofitting)				
Bus interface (X53)	UART			
Housing				
Dimensions (2/4M AP and 6M AP)	see Fig. 2			
Housing type	Surface-mounted housing			
Degree of protection	IP30			
Safety class	I			
Installation	Surface mounted			
Miscellaneous				
Software class	A			
Conformity	 Specified under www.warema.de/ce			
This device complies with the EMC directives for use in residential and commercial areas.				
Ambient conditions				
Operating temperature	0		50	°C
Storage temperature	0		70	°C
Humidity (not condensing)	10		85	%RH
Degree of soiling	2			
Connection				
Connecting line	Screw terminal			
Permissible line cross-section	0.2 - 2.5 mm ²			
Stripping length	6 - 7 mm			
Motor outputs	Screw terminal			
Permissible line cross-section	0.2 - 2.5 mm ²			
Stripping length	6 - 7 mm			
Inputs	Screw terminal			
Permissible line cross-section	0.2 - 2.5 mm ²			
Stripping length	6 - 7 mm			
Omnexo interface	Spring terminal			
Permissible conductor diameter	0.6 - 0.8 mm x			
Stripping length	6.5 mm			
Radio extension interface	Plug-in connection			

Article numbers

Omnexo switch actuator 2M230 AP	2047078
Omnexo switch actuator 4M230 AP	2047090
Omnexo switch actuator 6M230 AP	2047092
WAREMA Renkhoff SE Hans-Wilhelm-Renkhoff-Str. 2 D-97828 Marktheidenfeld Germany	

Fuse protection

Omnexo switch actuator type	Quantity	Fuse protection
Omnexo switch actuator 2M230 AP 2047078	1 x	6.3 AT H
Omnexo switch actuator 4M230 AP 2047090	1 x	6.3 AT H
Omnexo switch actuator 6M230 AP 2047092	2 x	6.3 AT H

Dimensions

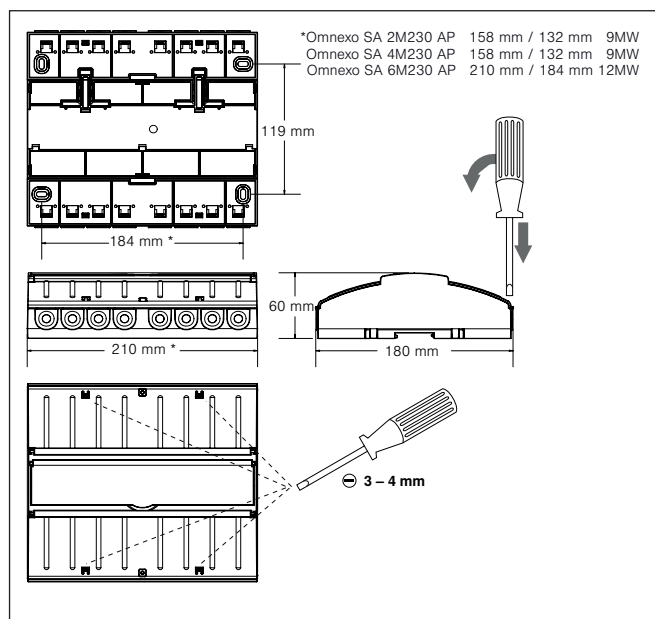


Fig. 2 Dimensions

Inscription on the actuator (see Fig. 3 on page 4):

S1	Button to transmit the serial number to the central control unit	
LED with two functions:	LED lights up: voltage is applied	LED flashes: bus communication is taking place
X53	Connection for WMS module	

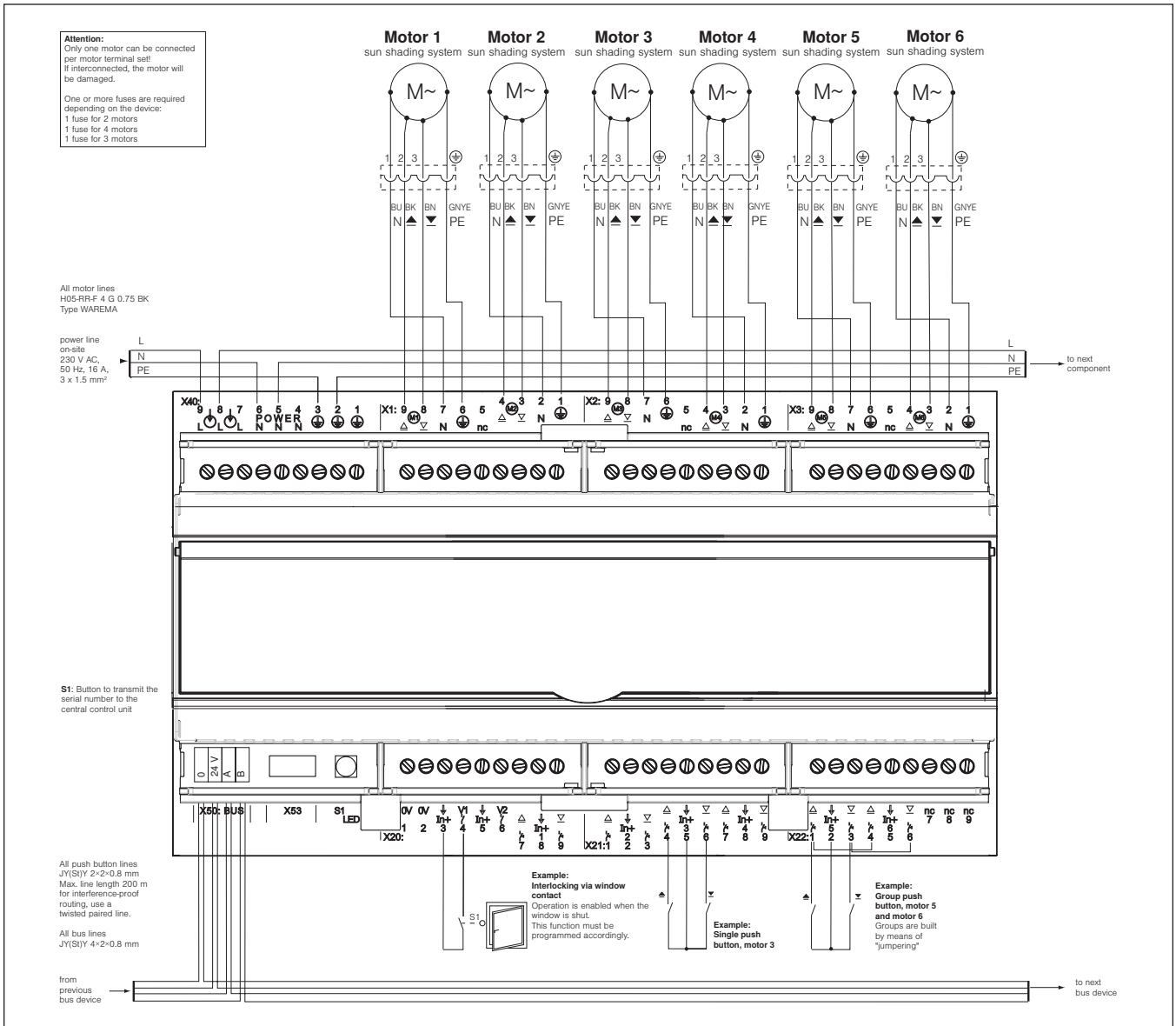


Fig. 3 Connection example Omnexo switch actuator 6M230 AP

KEEP IN A SAFE PLACE FOR COMMISSIONING!

Affix the switch actuator ID label here 	Note down installation location here
--------------------------------------------------------------------------------------------------------------------------------	--------------------------------------

Allocation:

Output	Product/sun shading system	Designation/room	Facade	Formation of groups	V1	V2
M1						
M2						
M3						
M4						
M5						
M6						
Example	External venetian blind ①	Ground floor office on the left ②	East ③	Ground floor office ④	x	

- | | |
|---------------------------------------------------------------------------------------------------------------------------------------------------------------------------------------------------|-------------------------------------------------------------------------------------------------------------------------------------------------------------------------------------------------------------|
| <p>① Product/sun shading system: information on the type of sun shading product</p> <p>② Designation/room: information on the installation location for the corresponding sun shading product</p> | <p>③ Facade: information on the orientation of the facade for the corresponding sun shading product</p> <p>④ Formation of groups: information on the formation of operating groups in the Omnexo system</p> |
|---------------------------------------------------------------------------------------------------------------------------------------------------------------------------------------------------|-------------------------------------------------------------------------------------------------------------------------------------------------------------------------------------------------------------|